

INSTRUCTIONS



309368

Rev. H



This manual contains important warnings and information.
READ AND KEEP FOR REFERENCE.

INSTRUCTIONS

GRACO
First choice when quality counts.™

Direct-Drive Pressure Washers

2730

Model 244811, Series B with Briggs & Stratton 6.5 HP Motor

2700 psi (186 bar, 18.6 MPa) Operating Pressure

3000 psi (210 bar, 21.0 MPa) Maximum Working Pressure

2730

Model 244812, Series B with Honda 6.5 HP Motor

2700 psi (186 bar, 18.6 MPa) Operating Pressure

3000 psi (210 bar, 21.0 MPa) Maximum Working Pressure

3030

Model 244813, Series B

3000 psi (210 bar, 21.0 MPa) Operating Pressure

3300 psi (227.5 bar, 22.75 MPa) Maximum Working Pressure

3340

Model 244814, Series B

3300 psi (227.5 bar, 22.75 MPa) Operating Pressure

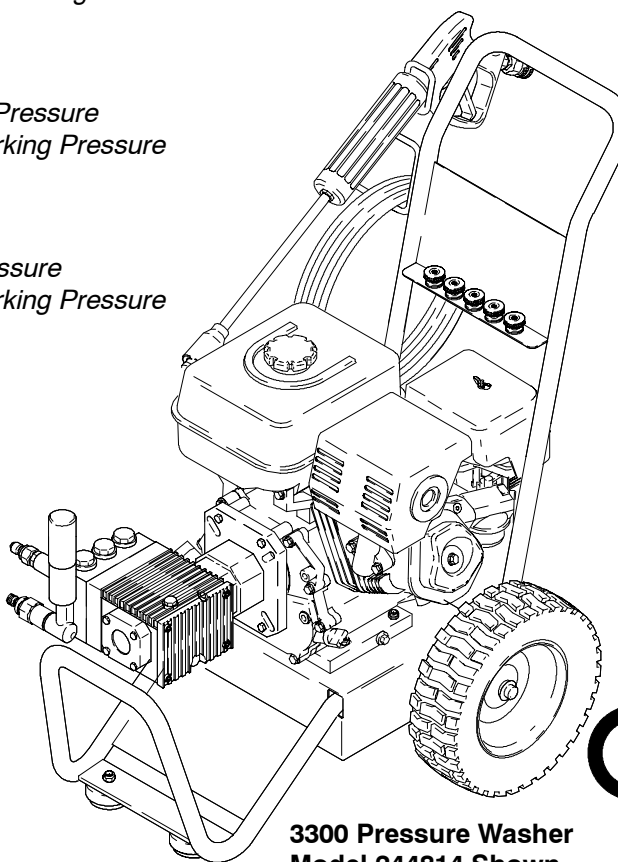
3600 psi (248 bar, 24.8 MPa) Maximum Working Pressure

3540

Model 244815, Series B

3500 psi (241 bar, 24.1 MPa) Operating Pressure

3800 psi (262 bar, 26.2 MPa) Maximum Working Pressure



**3300 Pressure Washer
Model 244814 Shown**



GRACO INC. P.O. BOX 1441 MINNEAPOLIS, MN 55440-1441

©COPYRIGHT 2001 GRACO INC.

Graco Inc. is registered to I.S. EN ISO 9001

Table of Contents

Symbols	2
Warnings	3
Component Identification	4
Pressure Relief Procedure	7
Installing and Changing Spray Tips	13
Parts Drawing	16
Parts List	17

Warning Symbol



This symbol alerts you to the possibility of serious injury or death if you do not follow instructions.






Caution Symbol



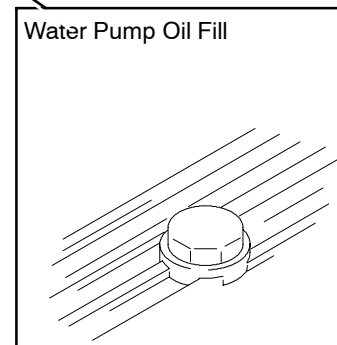
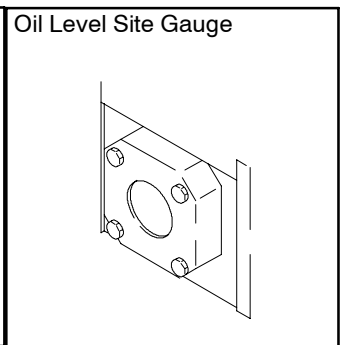
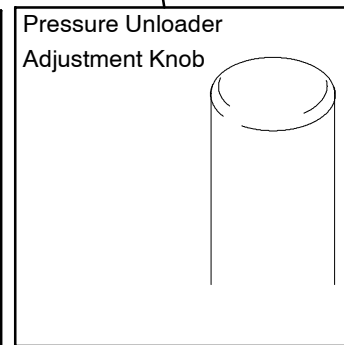
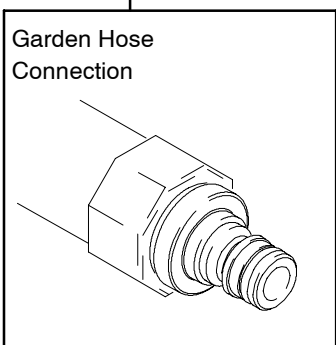
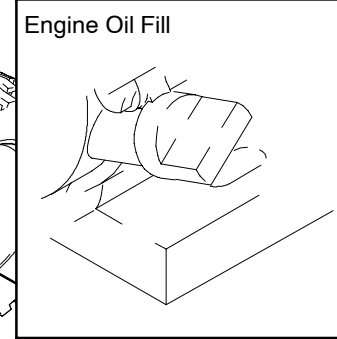
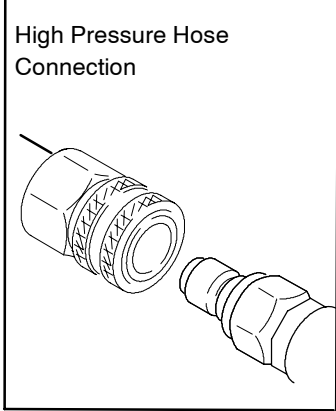
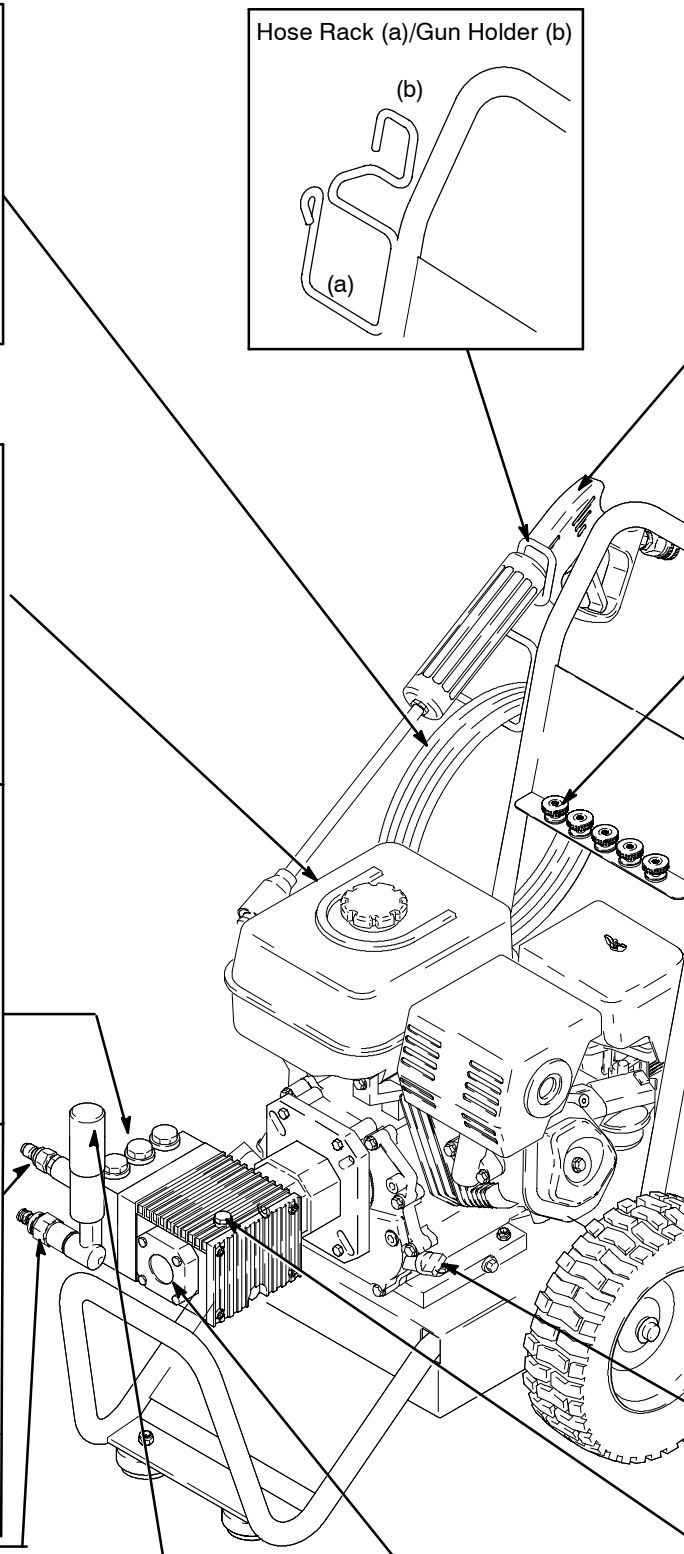
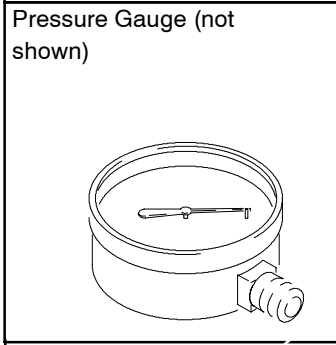
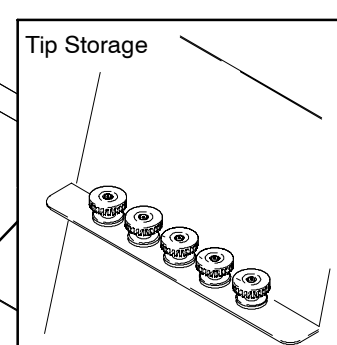
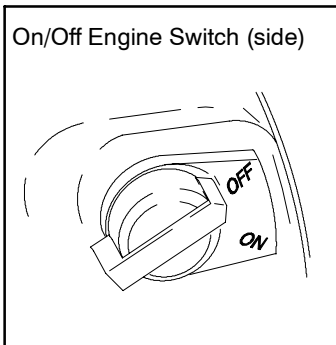
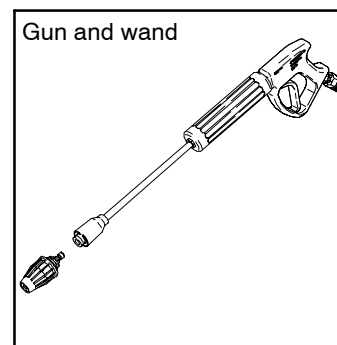
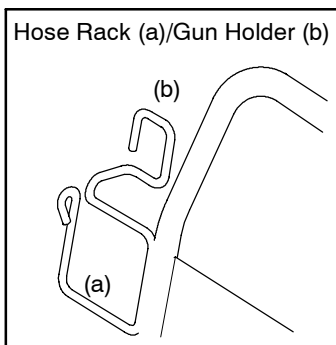
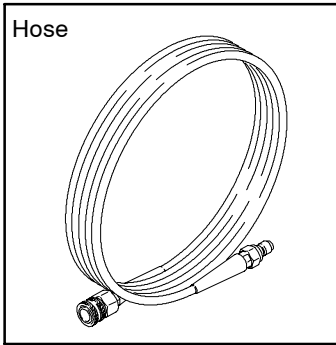
This symbol alerts you to the possibility of damage to or destruction of equipment if you do not follow instructions.



WARNINGS

	<p>Fuel Hazard: Fuel is combustible. When spilled on a hot surface it can ignite and cause a fire. Do not fill fuel tank while engine is running or hot.</p>
	<p>Exhaust Hazard: Exhaust contains poisonous carbon monoxide, which is colorless and odorless. Do not operate this equipment in a closed building.</p>
	<p>Equipment Misuse Hazard: Misuse of pressure washer or accessories can cause the equipment to rupture or malfunction and result in serious injury.</p> <ul style="list-style-type: none">•Do not alter or modify any part or factory-setting.•Check equipment daily. Repair or replace worn or damaged parts immediately.•Do not exceed maximum working pressure (MWPR) of the lowest-rated system component.•Use fluids and solvents that are compatible with the equipment wetted parts. See Specifications page for this information.•Wear hearing protection when operating this equipment.•Do not “blow back” fluid; this is not an air spray system.•Follow Pressure Relief, page 7 before cleaning, checking or servicing equipment.
	<p>TOXIC FLUID HAZARD: Hazardous fluid or toxic fumes can cause serious injury or death if splashed in eyes or on skin, inhaled, or swallowed.</p> <ul style="list-style-type: none">•Know specific hazards of fluids you are using and take protective measures as recommended by the fluid and solvent manufacturer.
	<p>Injection Hazard: Spray from gun, leaks or ruptured components can inject fluid into your body and cause serious injury. Fluid splashed in eyes or on skin can also cause serious injury.</p> <ul style="list-style-type: none">•Fluid injected into skin might look like just a cut, but it is a serious injury. Seek immediate surgical treatment.•Do not point gun at anyone or any part of the body.•Do not stop or deflect leaks with hand, body, glove, or rag.•Do not put your hand or fingers over the spray tip.•Tighten fluid connections before you start this equipment.•Engage the gun safety whenever you stop spraying.•Follow Pressure Relief Procedure, page 7 if the spray tip clogs and before you clean, check or service this equipment.•Repair or replace worn or damaged parts immediately.•Check hoses, tubes, and couplings daily. Do not repair high-pressure couplings. Replace entire hose. Fluid hoses must have spring guards on both ends to prevent kinks and rupture.

Component Identification



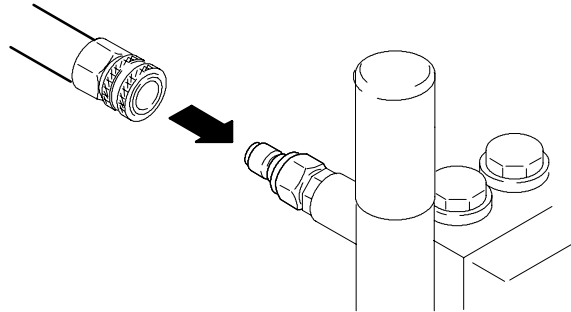
Setup

Shipping Damage

Check the pressure washer for shipping damage. **Notify the carrier immediately** if there is any damage.

Connect High-Pressure Hose and Gun

Connect the high-pressure hose between the pump outlet and gun inlet. Both of these connections are made with quick couplers.

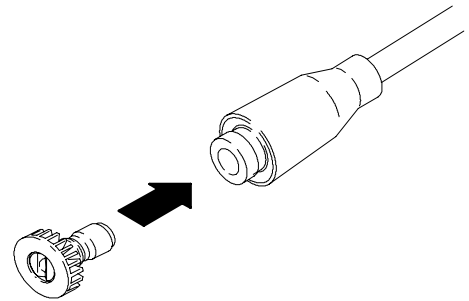


CAUTION

Up to 100 ft (30 m) of 3/8" high-pressure hose may be used. Longer hoses could affect pressure washer and chemical injector performance balance.

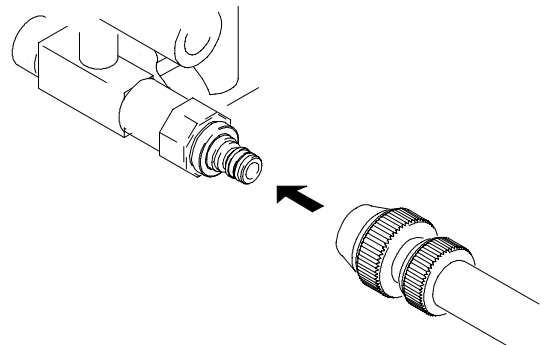
Install Spray Tip

Install the spray tip on the wand. (Installing and Changing Spray Tips, page 13). If you are using a Sandblasting Kit, see its separate manual for installation instructions.



Connect to Water Supply

Connect hose with at least a 3/4-in (19 mm) ID from the water supply to the 3/4-in garden hose inlet on the pressure washer. The supply hose should not be more than 50 ft (15 m) long.



 **CAUTION**

Before you connect the garden hose to the pressure washer, check your local plumbing code regarding cross-connection to the water supply. If required, install a backflow preventer.

If the inlet water pressure is over 60 psi (4.1 bar), a regulating water valve must be installed at the garden hose connection.

Do not exceed 160°F (70°C) inlet water temperature.

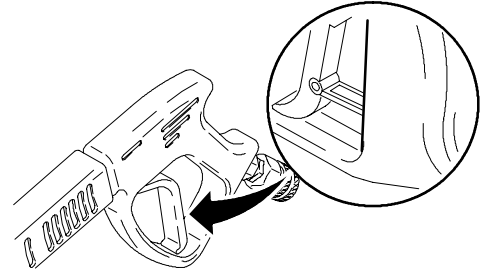
NOTE: The water source must have a minimum flow rate equal to that of the pressure washer.

PRESSURE RELIEF

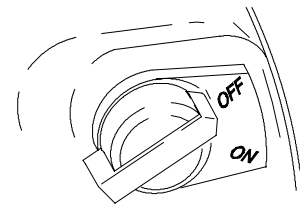
Follow these instructions whenever you are instructed to relieve pressure, stop spraying for more than 10 minutes, check or service the equipment, or install or clean the spray nozzle.



1. Engage trigger safety latch.

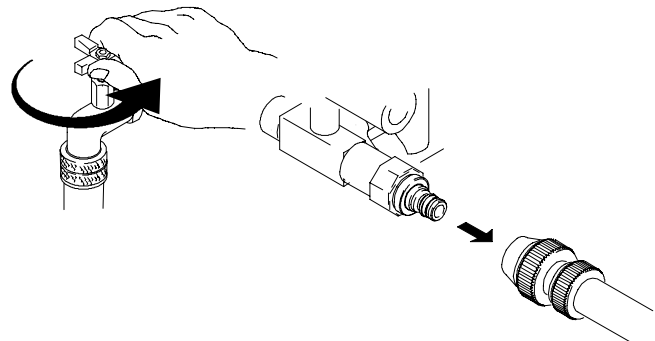


2. Turn pressure washer off.

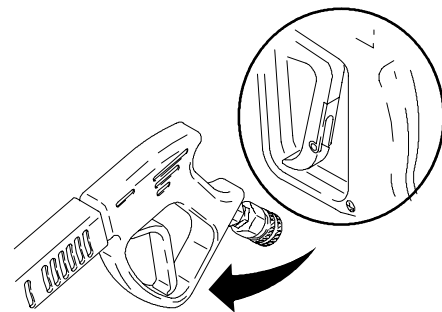


3. Remove ignition cable from spark plug.

4. Shut off water supply. Disconnect from water.



5. Disengage trigger safety latch and trigger the gun to relieve pressure. Then re-engage the safety latch.



Note: If you suspect that the spray tip or hose is clogged or that pressure has not been fully relieved after following the steps above, disengage the trigger safety latch and trigger the gun to relieve pressure.

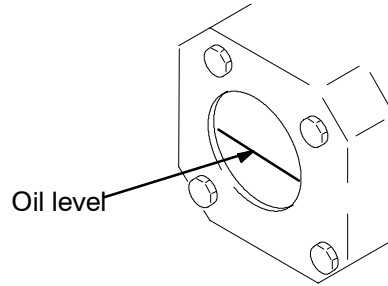
Operation

Startup

Always use this startup procedure to ensure that the pressure washer is started safely and properly.

- Always engage the gun trigger safety latch when you stop spraying. This reduces the risk of fluid injection or splashing in the eyes or on the skin if the gun is bumped or triggered accidentally.
- Always observe the CAUTIONS in this section to avoid costly damage to the pressure washer.
- If you use the Sandblaster Kit, see the Sandblaster Kit Manual for detailed cleaning information.

1. Check the oil level of the engine and pump.



NOTE: All Honda engine powered pressure washers are equipped with an engine low-oil sensor that shuts the engine off if the oil level falls below a certain level. If the engine stops unexpectedly, check the oil and the fuel levels. Check the oil level each time you add fuel.

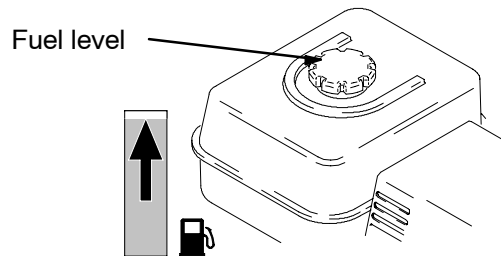
WARNING



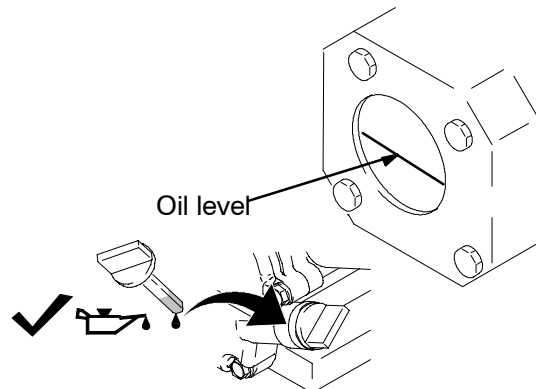
FIRE HAZARD

Do not refuel a hot engine. Refueling a hot engine could cause a fire. Use only fresh, clean, regular or unleaded gasoline. Close the fuel shutoff valve during refueling.

2. Check fuel level.

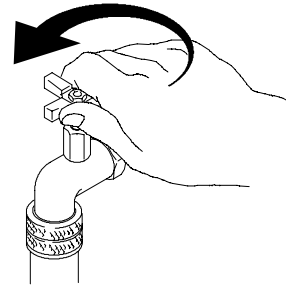


3. Check oil level in pump. It should be half way up the sight glass located on the front of the pump. Add pump oil as necessary. The system is equipped with a thermal overload to help prevent severe damage.



NOTE: It is important to drain and refill the pump oil after the first 50 hours of operation.

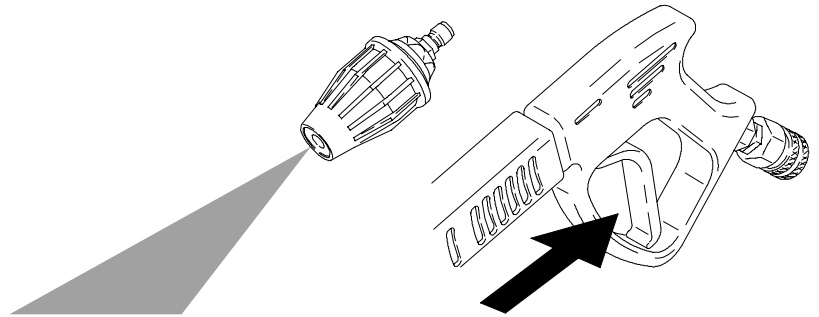
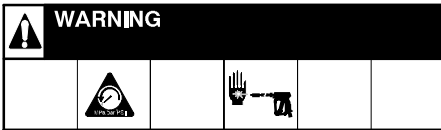
4. Turn on water supply.



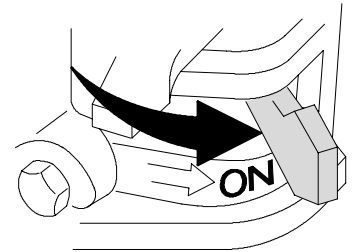
CAUTION

Never run pressure washer without water. Costly damage to the pump will result. Always be sure the water supply is completely turned on before you run the pressure washer.

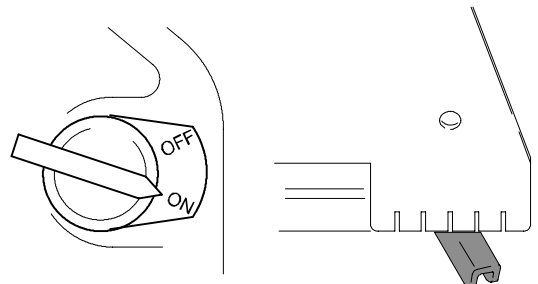
5. Trigger the gun until a constant stream of water sprays from the tip indicating the air is purged from the system.



6. Open fuel shutoff valve. Be sure the spark plug ignition cable is pushed firmly onto the spark plug.

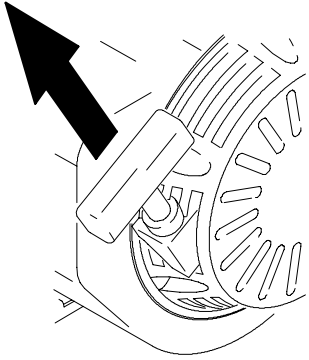


7. Put the switch in the ON position and the throttle at HALF throttle.



CAUTION

Do not allow pressure washer to idle for more than 10 minutes. This causes the recirculating water to overheat and serious damage to pump. Turn off pressure washer if it will not be spraying at least every 10 minutes. If heated inlet water is used, reduce this time more. Do not operate pressure washer with inlet water screen removed. This screen helps keep abrasive sediment out of pump, which could clog pump or damage cylinders. Keep screen clean. Do not pump caustic materials; such materials could corrode pump components.



8. Pull the starter rope quickly to start the engine.

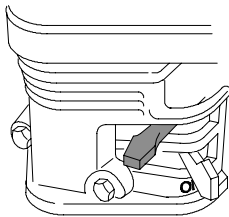
Pull and return the rope until the engine starts.

HINT: Placing one foot on the pressure washer as a brace provides better leverage.

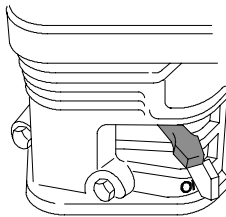
NOTE: For easier starting, have one person start pressure washer while another triggers gun.

- If engine is cold, start engine with choke completely closed. In cool weather, you might have to let engine run with choke closed for first 10–30 seconds. In warm weather, open choke completely as soon as engine starts.
- If engine is warm, start engine with choke completely open or partially closed. When engine starts open choke completely.

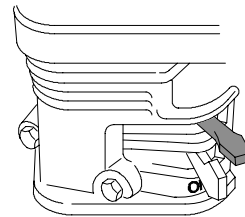
CLOSED



HALF

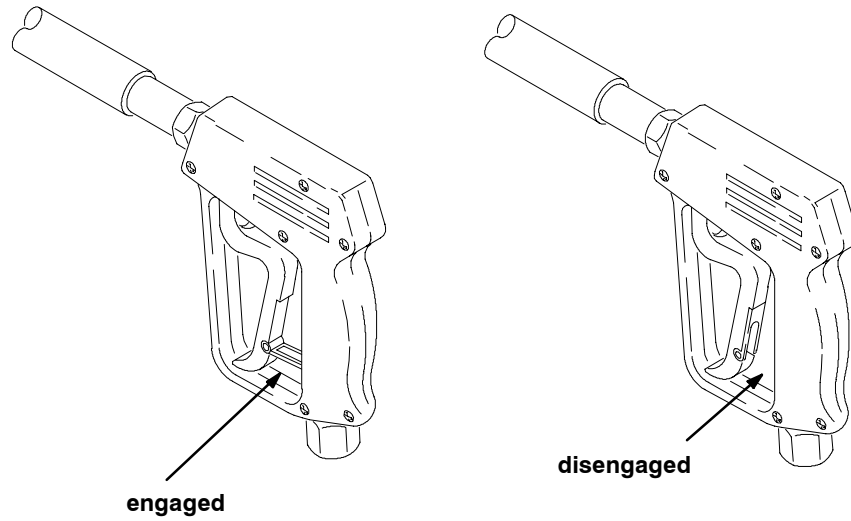


OPEN



Trigger Safety Latch

Always engage the safety latch when you stop spraying.



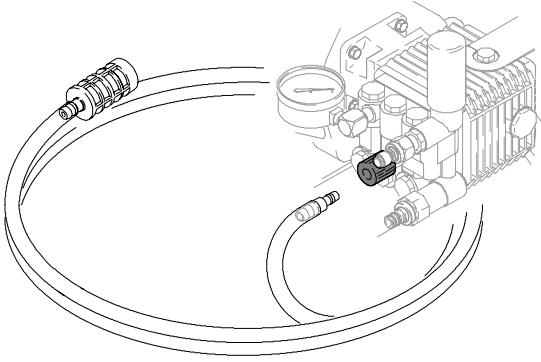
WARNING

Always engage the trigger safety latch when you stop spraying even for a moment. The engaged, safety latch prevents the gun from being triggered accidentally by hand or when dropped or bumped. Be sure the latch is pushed fully down, or it will not prevent the gun from being triggered.

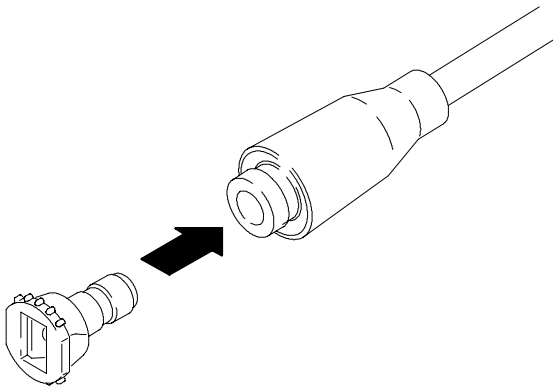
Chemical Injector Operation



1. Follow **Pressure Relief Procedure** (page 7).



2. Insert chemical filter (attached with clear tubing to chemical injector) into the container of chemical. Insert brass coupler into chemical injector.



3. Install the black, large-orifice, chemical tip. (**Installing and Changing Spray Tips** page 13).

The large orifice of the chemical tip causes a drop in pressure that actuates the chemical injector. Changing back to a small orifice spray tip deactivates the chemical injector and produces high pressure for rinsing. The chemical filter can be left in the chemical container during high-pressure use. To regulate the flow rate of the chemical, turn the chemical adjustment knob on the injector.

Installing and Changing Spray Tips

Spray tips have 4- or 5-digit numbers on them. The first two digits are the spray angle. Tip holding holes are provided on the chassis.

Spray Tip Number	Spray Pattern Fan Angle
00XXX	0° blaster (red)
15XXX	15° (yellow)
25XXX	25° (green)
40XXX	40° (white)
Chemical	XX° (black)

NOTE: The chemical injector tip is brass and has a large opening and a black plastic cap.

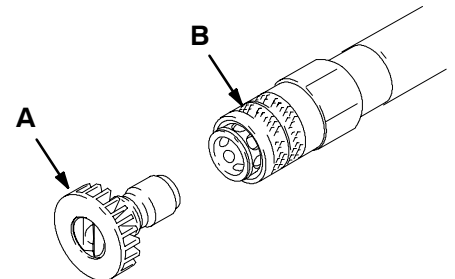
1. Perform **Pressure Relief Procedure** (page 7).



2. Point the gun and wand away from you and anyone else.



3. Without holding your hand over the spray tip (A), pull back the quick coupler ring (B). Remove the current tip, install a different one. Then push the ring back on.

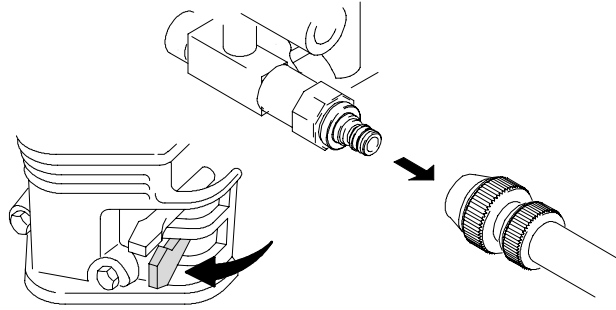


CAUTION

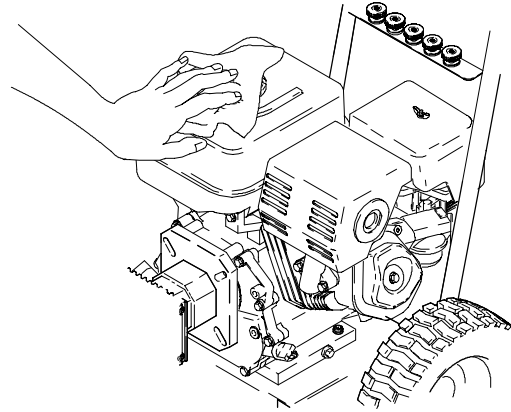
To avoid blowing the O-ring out of the quick coupler due to the high pressure in the system, never operate the pressure washer without a tip securely mounted in the quick coupler.

Shutdown, Flushing, and Storage

- Before you store the pressure washer overnight or transport it, disconnect the water supply, and turn off the fuel supply valve.



- After each use, wipe all surfaces of the pressure washer with a clean, damp cloth.



Long Term (more than 30 days)/Winter Storage

- Do not store unit outside where it can be exposed to rain, dirt or adverse weather conditions.
- Do not expose pressure washer to freezing temperatures or allow water to freeze in pressure washer components, causing the pump to lock-up. If this happens let pump thaw naturally in WARM ENVIRONMENT. DO NOT attempt to speed up this process by pouring warm water on pump. This could cause further damage.

ENGINE:

1. Run engine until gas is gone or stabilize the fuel and run it through the fuel system and carburetor.
2. Drain water out of pressure washer hose.
3. Turn fuel system to OFF position.

Pump:

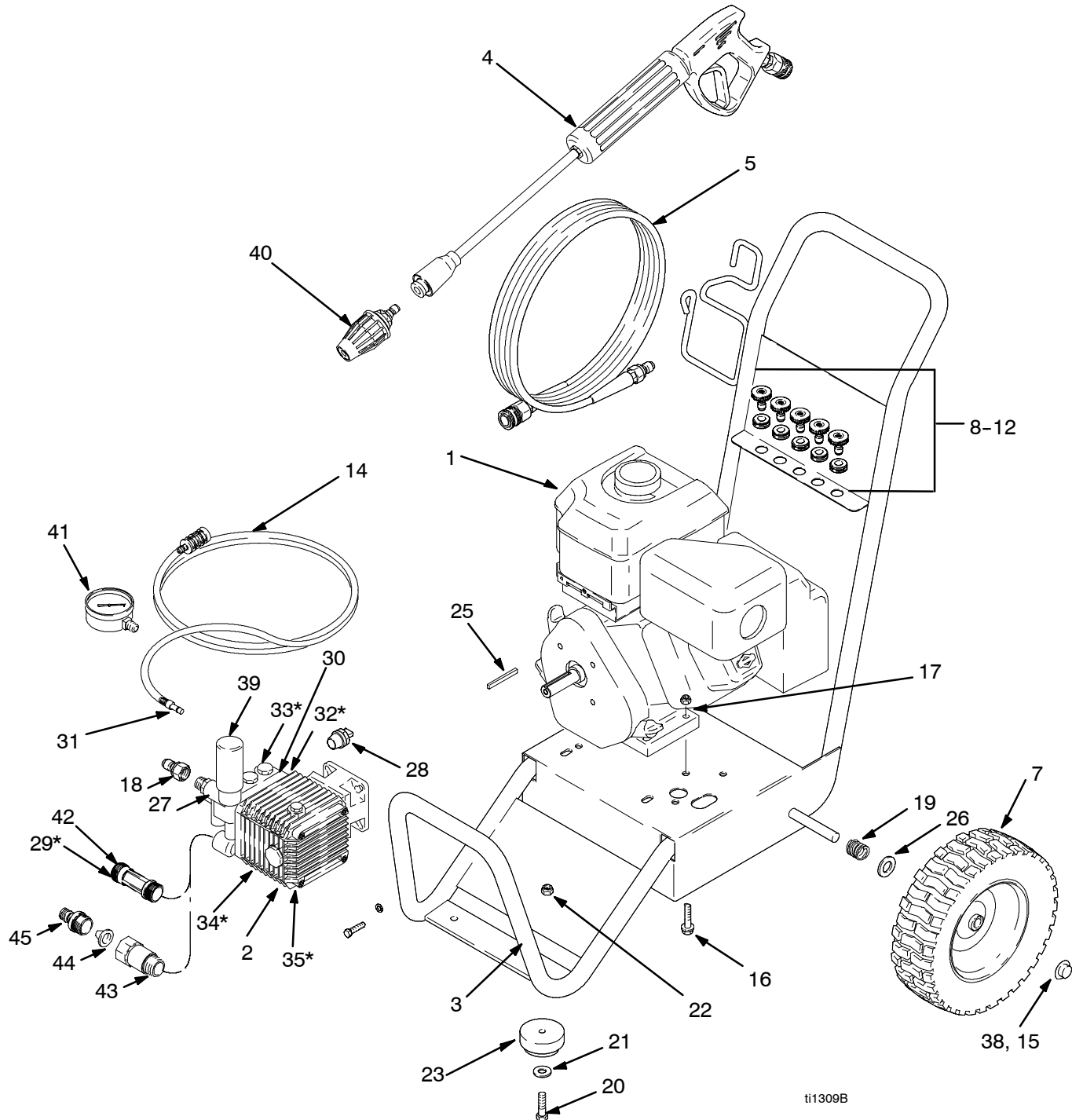
1. Attach one end of a 4 or 5-foot section of hose to pump inlet and other end in an antifreeze solution approximately 1-foot off the ground.
2. Pull pull-cord on engine until antifreeze comes out of pump outlet.

Storage Location:

1. Store pressure washer in garage, basement or other area where it is protected from freezing temperatures.

Parts for 2730 Pressure Washer

Model 244811, Series A



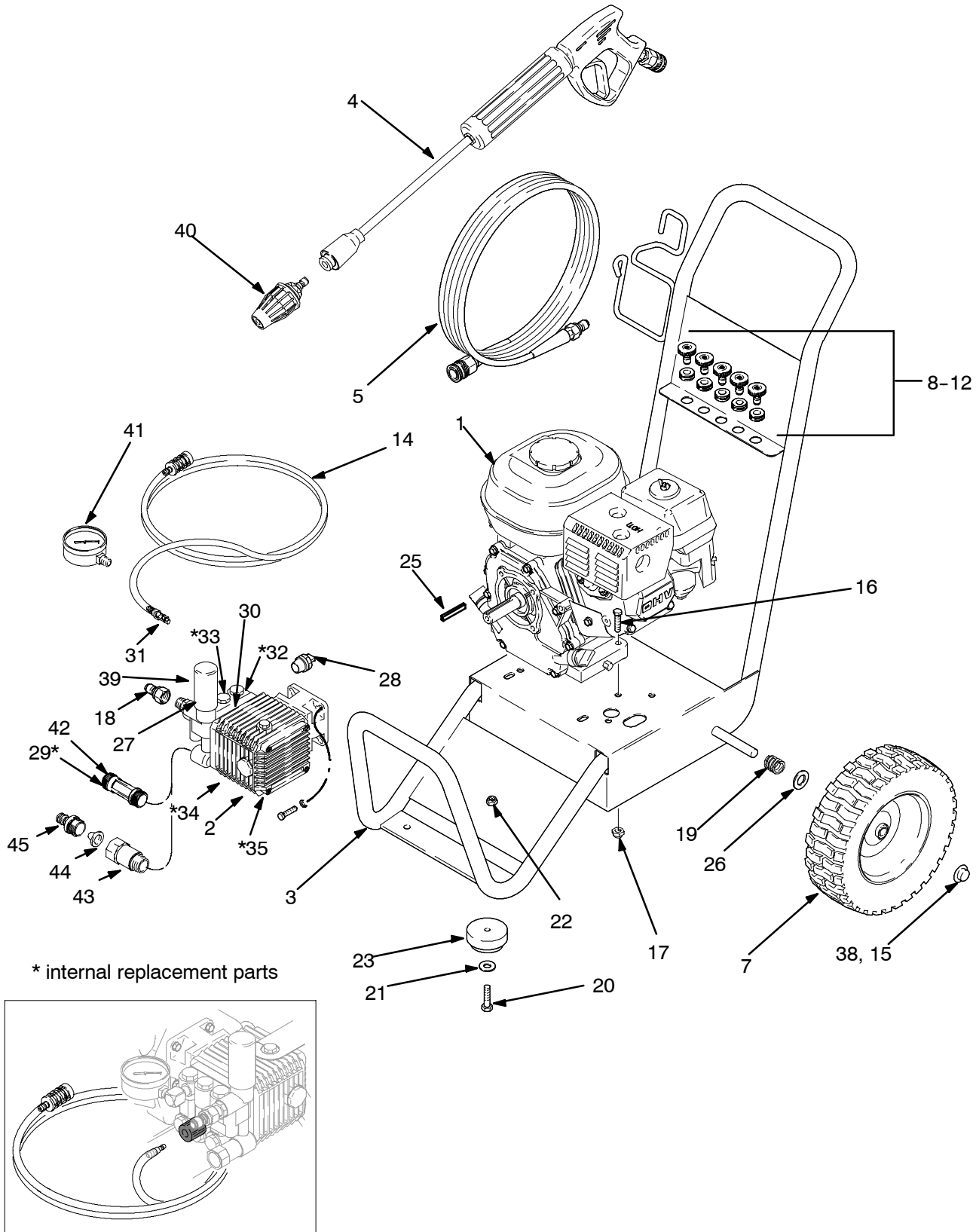
Parts for 2730 Pressure Washer

Model 244811, Series A with 6.5 HP Briggs & Stratton motor

Ref. No.	Part No.	Description	Qty.	Ref. No.	Part No.	Description	Qty.
1	116299		1	21	100132		2
2	244749		1	22	101566		2
3	244767		1	23	801504		2
4	244779		1	25	197792		1
5	244782		1	26	116477		2
7	804511		2	27	244803		1
8	805535		1	28	116460		1
9	805536		1	29	244741		1
10	805537		1	30	116557		1
11	805538		1	31	116558		1
	244768		1	32	804037		1
12	805634		1	33	804402		1
14	804275		1	34	804011		1
15	116342		2	35	804033		1
16	110837		4	38	116563		2
17	111040		4	39	244821		1
18	197428		1	40	198012		1
19	116411		2	41	804582		1
20	801546		2	42	15B910		1
				43	244746		1
				44	801112		1
				45	287643		1

Parts for 2730 Pressure Washer

Model 244812, Series A, with Honda 6.5 HP Motor



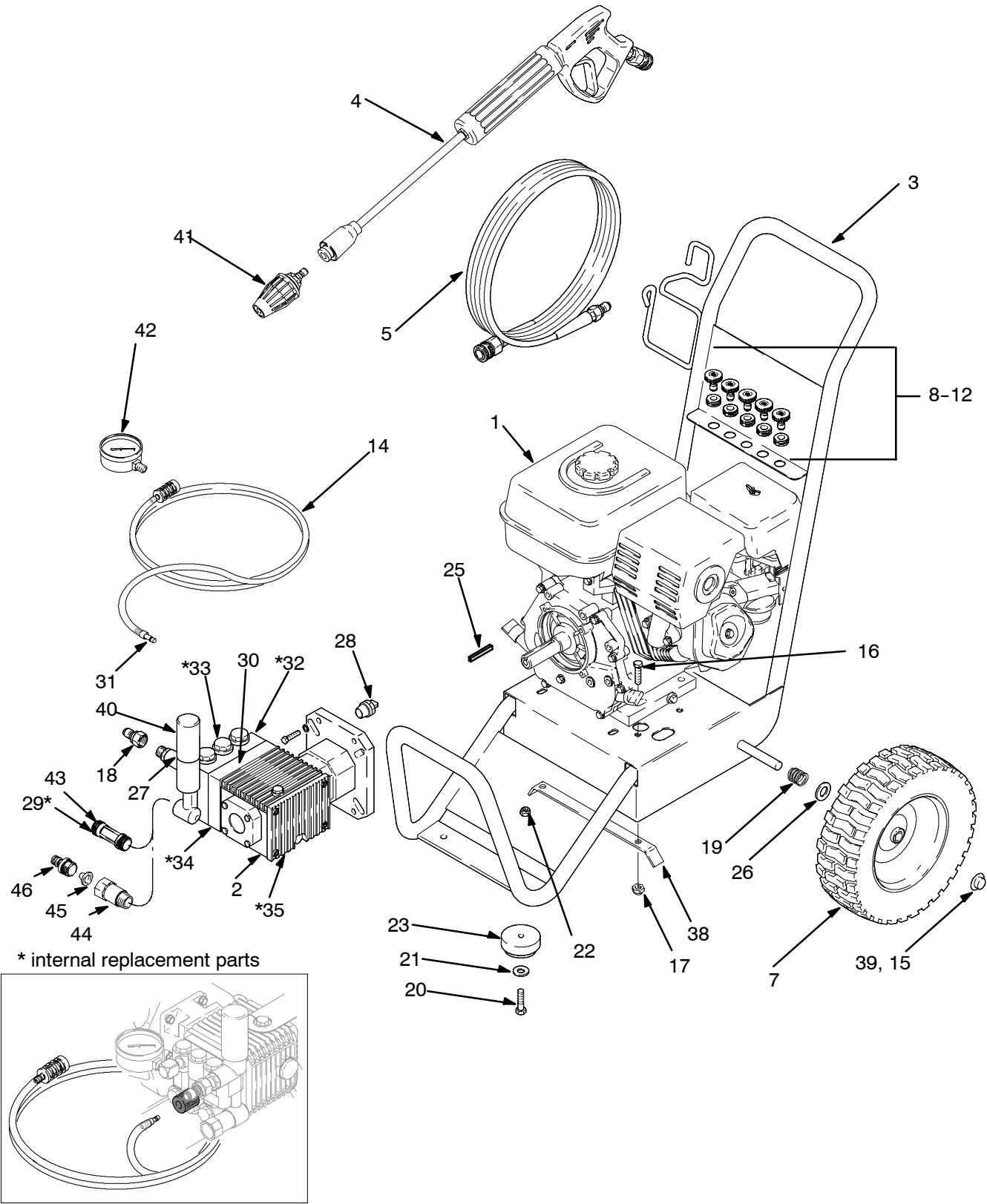
Parts for 2730 Pressure Washer

Model 244812, Series A with Honda 6.5 HP Motor

Ref. No.	Part No.	Description	Qty.	Ref. No.	Part No.	Description	Qty.
1	116298		1	21	100132		2
2	244749		1	22	101566		2
3	244767		1	23	801504		2
4	244779		1	25	197792		1
5	244782		1	26	116477		2
7	804511		2	27	244803		1
8	805535		1	28	116460		1
9	805536		1	29	244741		1
10	805537		1	30	116557		1
11	805538		1	31	116558		1
	244768		1	32	804037		1
12	805634		1	33	804402		1
14	804275		1	34	804011		1
15	116342		2	35	804033		1
16	110837		4	38	116563		2
17	111040		4	39	244821		1
18	197428		1	40	198012		1
19	116411		2	41	804582		1
20	801546		2	42	15B910		1
				43	244746		1
				44	801112		1
				45	287643		1

Parts for 3030/3340/3540 Pressure Washer

Model 244813, Series A with Honda 9 HP Motor†
 Model 244814, Series A, with Honda 11 HP Motor
 Model 244815, Series A, with Honda 13 HP Motor



Parts for 3030/3340/3540 Pressure Washer

Model 244813, Series A with Honda 9 HP Motor†
 Model 244814, Series A with Honda 11 HP Motor▪
 Model 244815, Series A with Honda 13 HP Motor✓

Ref. No.	Part No.	Description	Qty.	Ref. No.	Part No.	Description	Qty.
1	803900†		1	18	197428		1
	803158▪		1	19	116411		2
	114703✓		1	20	801546		2
2	244750†		1	21	100132		2
	244751▪		1	22	101566		2
	244752✓		1	23	801504		2
3	244767		1	25	801137		1
4	244779		1	26	116477		2
5	244782†		1	27	244804		1
	244783▪✓		1		244805		1
7	804511†		2		244806		1
	116478▪✓		2	28	116461		1
8	805539†▪		1	29	244741		1
	805543✓		1	30	116559		1
9	805540†▪		1	31	116558		1
	805544✓		1	32	804404		1
10	805541†▪		1	33	804402		1
	805545✓		1	34	804415		1
11	805542†▪		1	35	804033		1
	805546✓		1	38	198055		2
	244769†▪		1	39	116563		2
	800708✓		1	40	244821		1
12	805634		1	41	198012		1
14	804275		1	42	804582		1
15	116342		2	43	15B910		1
16	110837		4	44	244746		1
17	111040		4	45	801112		1
				46	287643		1

Sound Data

Sound Data	Direct Drive Pressure Washer Models				
	2730 Briggs & Stratton Motor	2730 Honda Motor	3030	3340	3540
Sound Pressure	92.5 dB(A)	89.0 dB(A)	93.3 dB(A)	90.4 dB(A)	90.7 dB(A)
Sound Level	106.8 dB(A)	103.3 dB(A)	107.6 dB(A)	104.7 dB(A)	105.0 dB(A)

Graco Standard Warranty

Graco warrants all equipment manufactured by Graco and bearing its name to be free from defects in material and workmanship on the date of sale by an authorized Graco distributor to the original purchaser for use. With the exception of any special, extended, or limited warranty published by Graco, Graco will, for a period of twelve months from the date of sale, repair or replace any part of the equipment determined by Graco to be defective. This warranty applies only when the equipment is installed, operated and maintained in accordance with Graco's written recommendations.

This warranty does not cover, and Graco shall not be liable for general wear and tear, or any malfunction, damage or wear caused by faulty installation, misapplication, abrasion, corrosion, inadequate or improper maintenance, negligence, accident, tampering, or substitution of non-Graco component parts. Nor shall Graco be liable for malfunction, damage or wear caused by the incompatibility of Graco equipment with structures, accessories, equipment or materials not supplied by Graco, or the improper design, manufacture, installation, operation or maintenance of structures, accessories, equipment or materials not supplied by Graco.

This warranty is conditioned upon the prepaid return of the equipment claimed to be defective to an authorized Graco distributor for verification of the claimed defect. If the claimed defect is verified, Graco will repair or replace free of charge any defective parts. The equipment will be returned to the original purchaser transportation prepaid. If inspection of the equipment does not disclose any defect in material or workmanship, repairs will be made at a reasonable charge, which charges may include the costs of parts, labor, and transportation.

THIS WARRANTY IS EXCLUSIVE, AND IS IN LIEU OF ANY OTHER WARRANTIES, EXPRESS OR IMPLIED, INCLUDING BUT NOT LIMITED TO WARRANTY OF MERCHANTABILITY OR WARRANTY OF FITNESS FOR A PARTICULAR PURPOSE.

Graco's sole obligation and buyer's sole remedy for any breach of warranty shall be as set forth above. The buyer agrees that no other remedy (including, but not limited to, incidental or consequential damages for lost profits, lost sales, injury to person or property, or any other incidental or consequential loss) shall be available. Any action for breach of warranty must be brought within two (2) years of the date of sale.

Graco makes no warranty, and disclaims all implied warranties of merchantability and fitness for a particular purpose in connection with accessories, equipment, materials or components sold but not manufactured by Graco. These items sold, but not manufactured by Graco (such as electric motors, switches, hose, etc.), are subject to the warranty, if any, of their manufacturer. Graco will provide purchaser with reasonable assistance in making any claim for breach of these warranties.

In no event will Graco be liable for indirect, incidental, special or consequential damages resulting from Graco supplying equipment hereunder, or the furnishing, performance, or use of any products or other goods sold hereto, whether due to a breach of contract, breach of warranty, the negligence of Graco, or otherwise.

FOR GRACO CANADA CUSTOMERS

The parties acknowledge that they have required that the present document, as well as all documents, notices and legal proceedings entered into, given or instituted pursuant hereto or relating directly or indirectly hereto, be drawn up in English. Les parties reconnaissent avoir convenu que la rédaction du présente document sera en Anglais, ainsi que tous documents, avis et procédures judiciaires exécutés, donnés ou intentés à la suite de ou en rapport, directement ou indirectement, avec les procédures concernées.

TO PLACE AN ORDER OR FOR SERVICE, contact your Graco distributor, or call this number to identify the distributor near you: **1-800-690-2894 Toll Free**
mm 309368

All written and visual data contained in this document reflects the latest product information available at the time of publication. Graco reserves the right to make changes at any time without notice.

Graco Headquarters: Minneapolis
International Offices: Belgium, China, Japan, Korea
GRACO INC. P.O. BOX 1441 MINNEAPOLIS, MN 55440-1441
www.graco.com
Printed in USA 309368F
8/2001 Rev. 07/2008